

Readiness of ESCerts Mechanism

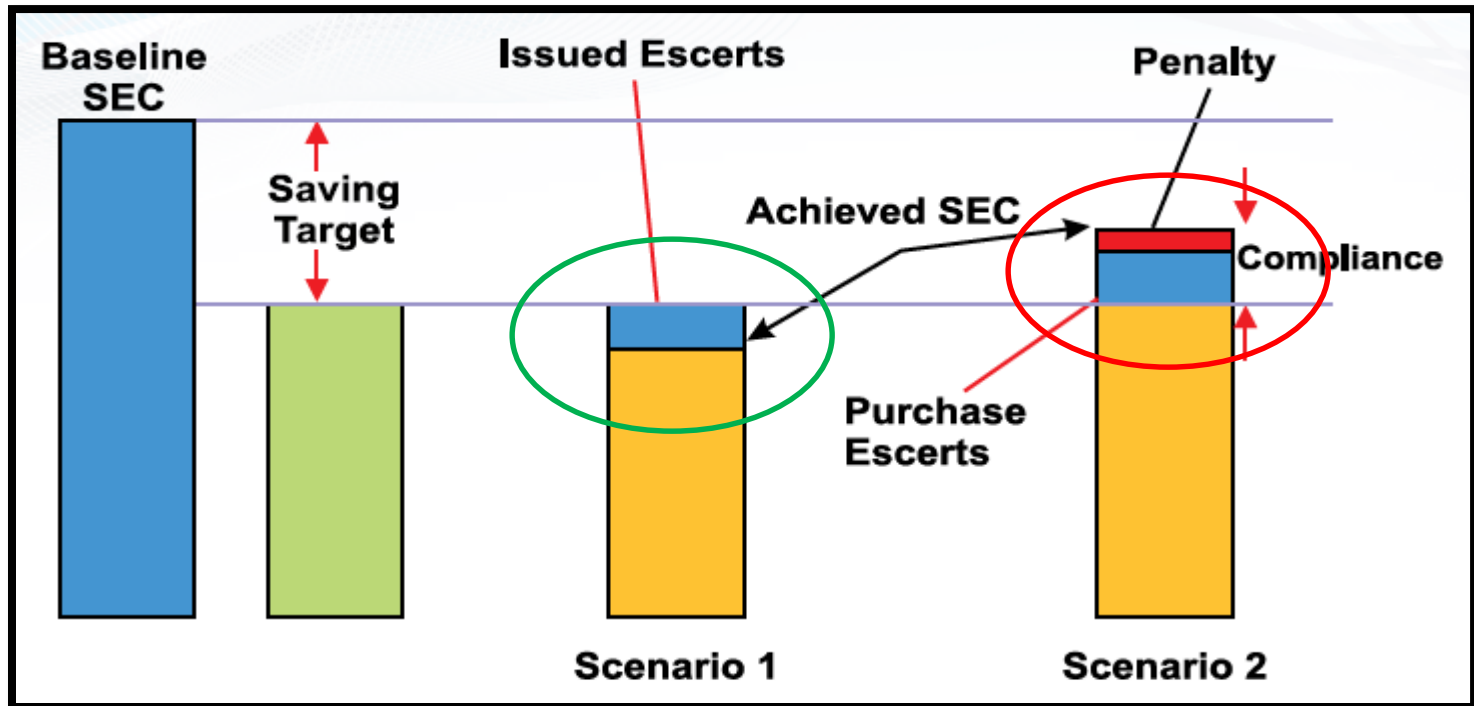


BUREAU OF ENERGY EFFICIENCY

(A Statutory body under Ministry of Power, Government of India)

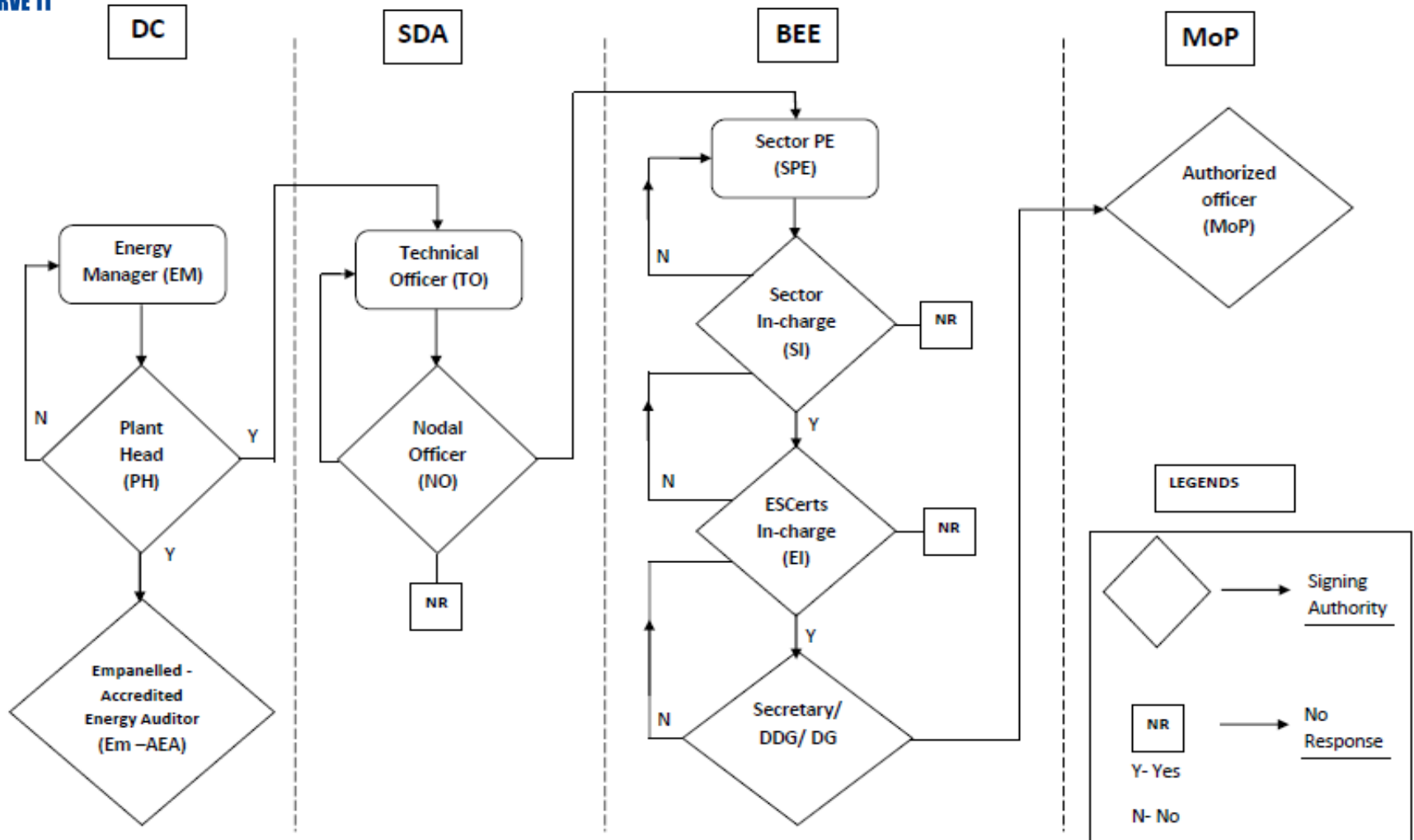
4th Floor, Sewa Bhawan, R. K. Puram, New Delhi – 110 066

CONCEPT OF TARGET, COMPLIANCE, ESCerts & PENALTY



- When a designated consumer achieve and surpass the target, it can sell its excess savings in the form of Energy Savings Certificates (ESCerts) issued by Central Government, and if a designated consumer fails to achieve its targets, it must purchase the appropriate number of ESCerts to meet its energy savings targets.

PROCESS FLOW FOR ISSUANCE OF ESCerts



NR: No Response – Notification is issued to the head of the department and to the next officer in the channel.

ENERGY SAVINGS CERTIFICATES (ESCerts)

- The energy savings certificate will be **issued in electronic form only**.
- The **value** of one energy savings certificates shall be equal to **one metric ton of oil equivalent of energy consumed**.
- The designated consumer who has been issued energy savings certificates may sell them through the power exchange. **Each certificate will be unique tradable commodity which will be traded in two exchanges** i.e. Indian Energy Exchange (IEX) and Power Exchange of India (PXIL).
- While the ownership of the energy savings certificate may vary during the different trading session within the different Eligible Entities, the unique ESCert number once assigned for a particular Eligible Entity shall remain same throughout the validity of ESCerts.
- The designated consumer who has been issued the energy savings certificates during the current cycle may use them for the purpose of banking until the next compliance cycle after which they stand expired.



WORK - PROGRESS/ COMPLETED

- Finalization of the procedures for the Registry.**

- Finalization of the Business Rules of both the Power Exchanges.**

- Notification of the ESCerts Exchange Regulations,2016.**

- Filling of the forms on PATNet Portal by the Designated Consumers.**

- MoP has authorized official for online issuance of ESCerts .**

- Determination of value of one ESCert.**

- Draft manual on Penalty & Adjudication Process**

TERMS AND CONDITIONS FOR EXCHANGE OF ENERGY SAVINGS CERTIFICATES (ESCerts)

- ❑ **COMMISSION:** Central Electricity Regulatory Commission (CERC) defines the regulatory framework for trading of Energy Savings Certificate on Power Exchanges to facilitate the trading component of PAT scheme under NMEEE.

- ❑ **ELIGIBLE ENTITY:** Any Designated Consumer registered with Registry who desire to sell the issued ESCerts or purchase such ESCerts for compliance with the energy consumption norms and standards under clause (g) of section 14 of the EC Act.

- ❑ **EXCHANGE OR TRADE OF ESCerts** means sell or purchase of ESCerts under the Perform, Achieve and Trade (PAT) scheme on Power Exchanges, and includes delivery of ESCerts.



TERMS AND CONDITIONS FOR EXCHANGE OF ENERGY SAVINGS CERTIFICATES (ESCerts)

- All eligible entities who intend to participate in the exchange of ESCerts shall **register themselves with the Power Exchange.**

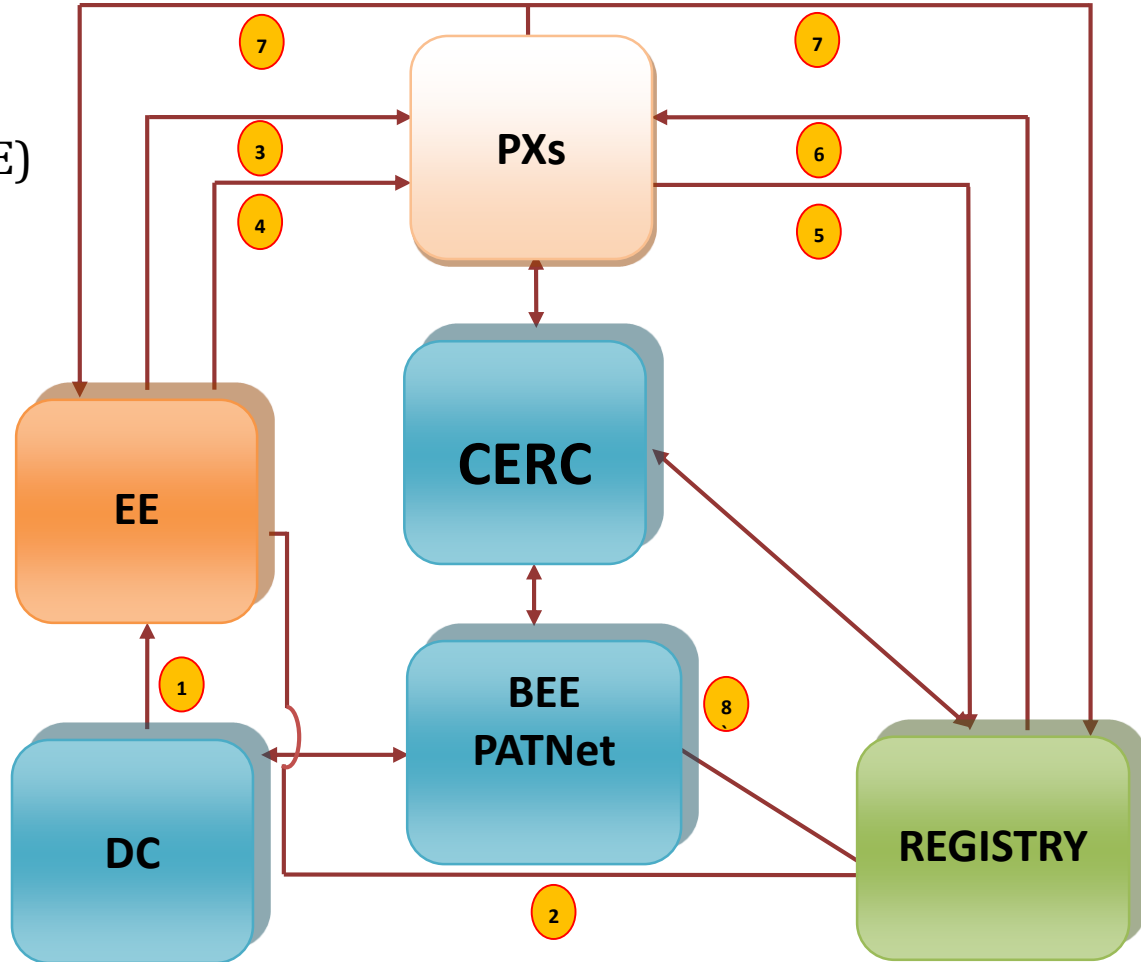
- Eligibility Entity can exchange the ESCerts **directly on a Power Exchange.**

- In any trading session, **an eligible entity shall not place sale bids in excess** of total ESCerts held in its Registry Account. In case of breach, such eligible entities shall be treated as defaulter and any bid submitted by such eligible entity shall not be considered by the Power Exchange for the purpose of price discovery.

- Eligible entities with more than three cases of default in a cycle shall be barred from exchange of ESCerts for next 6 months.

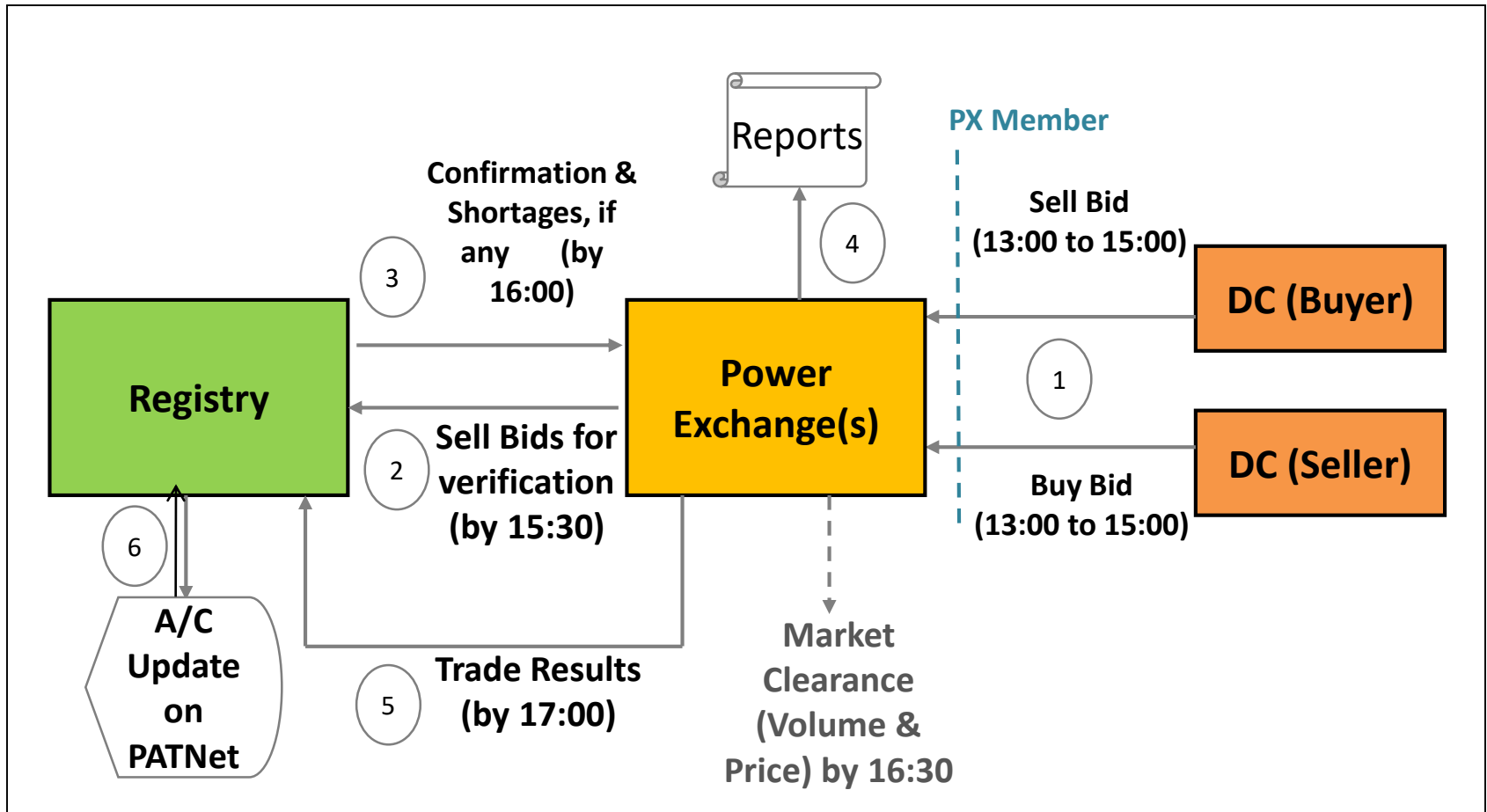
ENTITIES INVOLVED IN ESCerts TRADING MECHANISM

- ✓ Bureau of Energy Efficiency (BEE)
- ✓ Central Electricity Regulatory Commission (CERC)
- ✓ Registry (POSOCO)
- ✓ Power Exchanges (PXs)
- ✓ Eligible Entity (EE)
- [Designated Consumers (DC)]



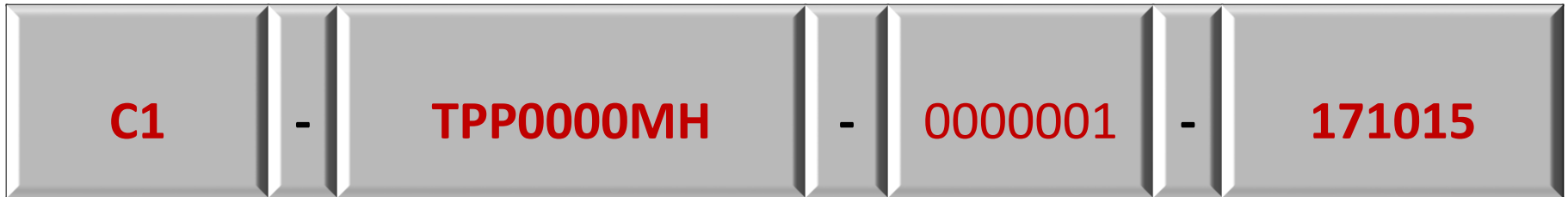
TRADING SESSION BRIEF

Market Regulator: CERC



#The time shown above is the tentative time.

ESCert CERTIFICATE NUMBER - NOMENCLATURE



C1-TPP0000MH-00000001-171015

WALK - THROUGH

Trading Platforms

Of

Registry/Power Exchanges

REGISTRY – DASH BOARD

DC Registration as Eligible Entity

PAT CYCLE					
CYCLE 1	CYCLE 2			CYCLE 3	CYCLE 4
ELIGIBLE ENTITY REGISTRATION	ORDER MATCHING	CROSS – CHECK REPORT	CONFIRMATION REPORT	KYE	

S. No	DC REGISTRATION NUMBER	REGISTRATION FORM	ELIGIBLE ENTITY STATUS
ESCerts Issued			
1	ALM0003MH	<u>REGISTRATION FORM</u>	<u>CERTIFICATE OF REGISTRATION</u>
2	CMT0045UP	<u>REGISTRATION FORM</u>	
3	CAL0001MH	<u>REGISTRATION FORM</u>	
4	PNP0001MH	<u>REGISTRATION FORM</u>	
ESCerts to be Purchased			
1	FTZ0001MH	<u>REGISTRATION FORM</u>	
2	FTZ0023MP	<u>REGISTRATION FORM</u>	
3	TPP0003MP	<u>REGISTRATION FORM</u>	
4	TPP0054RJ	<u>REGISTRATION FORM</u>	
SUM			

**Application Form for Registration Form for
Designated Consumer (DC) to become
Eligible Entity (EE)**

Section A: PAT Cycle Details

- **PAT Cycle:**
- **DC Registration Number:**
- **DC Name:**
- **Plant Head Name:**
- **Plant Head Contact Details:**
- **Number of ESCerts Issued/ to be Purchased:**
- **Postal Address:**
- **Year of Establishment:**
- **Authorized Signatory of the Application
(submit authorization Letter by
CEO/CMD/MD/Director/Partners/Board
Resolution):**

Section B: Owner Details

- **Name of the Applicant:**
- **Type of Applicant:**
(Individual/HUF/Partnership/Ltd Co. /Pvt. Ltd. Co. /Public Ltd. Co/Cooperative Society)
- **Postal Address of the Applicant:**
- **Town/Suburb:**
- **State:**
- **Postal Code:**
- **Primary Contact Name:**
(Name of Authorised Signatory)
- **Position:**
- **Phone:**
- **Fax:**
- **Mobile:**
- **E-mail Address:**
- **Permanent Account Number (PAN):**
- **Tax Deduction and Collection Account Number (TAN):**
- **Corporate Identity Number (CIN):**
- **Service Tax Number:**
- **Secondary Contact Name:**

Section C: Details of Fee& Charges

- **Name of the Bank:**
- **Transaction Reference Number:**
- **Date of Transaction:**
- **Details of Amount Paid (Processing Fees):**
 - a. Application Processing Fee (APF)
 - b. PAT-Cycle Registration Fee (PRF)
 - c. ESCert Credit Fee (ECF)

Section D: Declaration signed by Authorised signatory

REGISTRY – DASH BOARD

PAT CYCLE				
CYCLE 1	CYCLE 2		CYCLE 3	CYCLE 4
ELIGIBLE ENTITY REGISTRATION	ORDER MATCHING	CROSS – CHECK REPORT	CONFIRMATION REPORT	KYE

Trading Session 1	Trading Session 2	Trading Session 3		Trading Session 4	
S. No	Eligible Entity	IA-0809	08-SEP-15		
		IEX	PXIL		
		1	ALM0001MH	2000	
		2	ALM0003MH	3500	
		3	CMT0045UP		2500
		4	CAL0001MH	4000	
		5	PNP0001MH		5000
		6	INS0001MH	2000	
		7	FTZ0001MH	3500	
		8	FTZ0023MP	7000	
9	TPP0003MP	4000			
10	TPP0054RJ	5000			

REGISTRY – DASH BOARD

Cross check report

PAT CYCLE					
CYCLE 1	CYCLE 2			CYCLE 3	CYCLE 4
ELIGIBLE ENTITY REGISTRATION	ORDER MATCHIN G	CROSS – CHECK REPORT	CONFIRMATION REPORT	KYE	

Trading Session 1	Trading Session 2		Trading Session 3	Trading Session 4
S. No	Eligible Entity		IA-0809	08-SEP-15
1	ALM0001MH		CONFIRM	
2	ALM0003MH		DEFAULT	
3	CMT0045UP		CONFIRM	
4	CAL0001MH		DEFAULT	
5	PNP0001MH		CONFIRM	

REGISTRY – DASH BOARD

Confirmation report

PAT CYCLE					
CYCLE 1	CYCLE 2			CYCLE 3	CYCLE 4
ELIGIBLE ENTITY REGISTRATION	ORDER MATCHIN G	CROSS – CHECK REPORT	CONFIRMATION REPORT	KYE	

Trading Session 1		Trading Session 2		Trading Session 3		
S. No	Eligible Entity	IA-0809		08-SEP-15		
		IEX		PXIL		
		SELL	BUY	SELL	BUY	
	1	ALM0001MH	2000		1000	
	2	ALM0003MH				
3	CMT0045UP	2500				
4	CAL0001MH	4000				
5	PNP0001MH	5000				

PX – DASH BOARD

Eligible entity list

PAT CYCLE			
CYCLE 1	CYCLE 2	CYCLE 3	CYCLE 4
ELIGIBLE ENTITY LIST	ORDER MATCHING	CROSS – CHECK REPORT	CONFIRMATION REPORT

S. No	DC REGISTRATION NUMBER	CERTIFICATE OF REGISTRATION
	ESCerts Issued	
1	ALM0003MH	<u>CERTIFICATE</u>
2	CMT0045UP	
3	CAL0001MH	
4	PNP0001MH	
	ESCerts to be Purchased	
1	FTZ0001MH	
2	FTZ0023MP	
3	TPP0003MP	
4	TPP0054RJ	

PX – DASH BOARD

Order Matching report

PAT CYCLE					
CYCLE 1		CYCLE 2		CYCLE 3	CYCLE 4
ELIGIBLE ENTITY LIST	ORDER MATCHING	CROSS – CHECK REPORT	CONFIRMATION REPORT		

Trading Session 1		Trading Session 2		Trading Session 3
S. No	Eligible Entity	IA-0809	08-SEP-16	
1	ALM0001MH		2000	
2	ALM0003MH		3500	
3	CMT0045UP		2500	
4	CAL0001MH		4000	
5	PNP0001MH		5000	
6	INS0001MH		2000	
7	FTZ0001MH		3500	
8	FTZ0023MP		7000	
9	TPP0003MP		4000	
10	TPP0054RJ		5000	

PX – DASH BOARD

Cross check report

PAT CYCLE					
CYCLE 1		CYCLE 2		CYCLE 3	CYCLE 4
ELIGIBLE ENTITY LIST	ORDER MATCHING	CROSS – CHECK REPORT	CONFIRMATION REPORT		

Trading Session 1		Trading Session 3		Trading Session 4	
S. No	Eligible Entity	IA-0809	08-SEP-16		
1	ALM0001MH	CONFIRM			
2	ALM0003MH	DEFAULT			
3	CMT0045UP	CONFIRM			
4	CAL0001MH	DEFAULT			
5	PNP0001MH	CONFIRM			
6	INS0001MH	CONFIRM			
7	FTZ0001MH	CONFIRM			

PX – DASH BOARD

Confirmation report

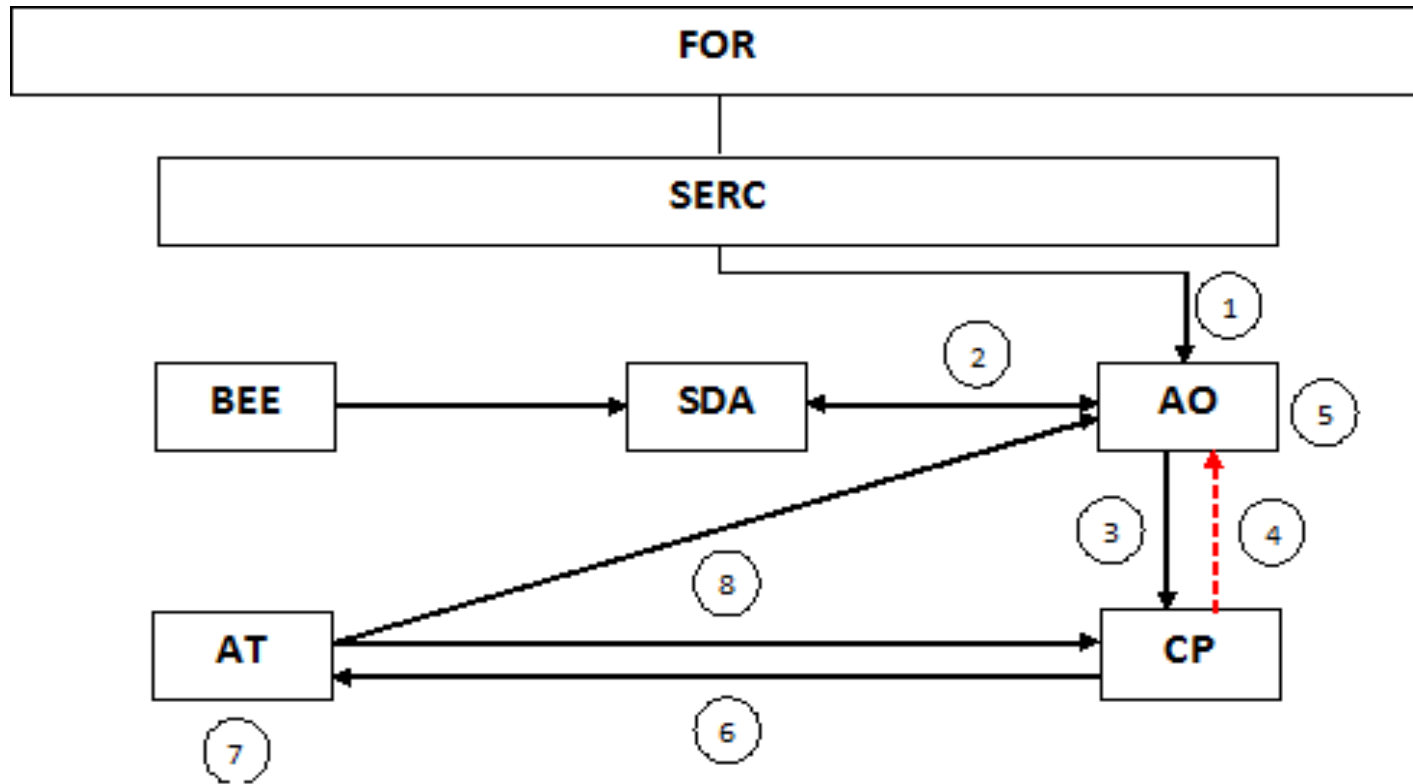
PAT CYCLE					
CYCLE 1		CYCLE 2		CYCLE 3	CYCLE 4
ELIGIBLE ENTITY LIST	ORDER MATCHING	CROSS – CHECK REPORT	CONFIRMATION REPORT		

Trading Session 1		Trading Session 2			Trading Session 3	Trading Session 4
S. No	Eligible Entity		IA-0809	08-SEP-16		
			SELL	BUY		
1	ALM0001MH		2000			
2	ALM0003MH			2500		
3	CMT0045UP		2500			
4	CAL0001MH		4000			
5	PNP0001MH		5000			
6	INS0001MH			7500		

ESCerts Transfer ownership

ALM0001MH		CYCLE 1				CYCLE 2	
ESCerts Issued		Trading Session 1		Trading Session ...		Trading Sessions ...	
From	To	ID	PX	ID	PX	ID	PX
01-00000001- ALM0001MH-150916	01-00001000- ALM0001MH-150916	TPP0057TN	IX				
01-00001001- ALM0001MH-150916	01-00001500- ALM0001MH-150916	ALM0001MH					

ADJUDICATION PROCESS FLOW



ENTITIES INVOLVED:

FOR : Forum of Regulators;

AO : Adjudicating Officer

BEE : Bureau of Energy Efficiency

CP : Concerned Person

SERC : State Electricity Regulatory Commission

SDA : State Designated Agency

AT : Appellate Tribunal

तेन (समस्त ऊर्जा को) त्यक्तेन (त्याग के साथ) मुंजीथः (उपयोग करे)
-----ईशावास्योपनिषद्

THANK YOU

BUREAU OF ENERGY EFFICIENCY

A Statutory body under Ministry of Power, Government of India

4th Floor, Sewa Bhawan, R. K. Puram, New Delhi – 110 066

Ph: +91- 11- 2617 9699 | Fax: +91- 11- 2617 8352 |